

DRUMS & HARDWARE 2008



USA.MAPEXDRUMS.COM



Chris Adler
Lamb of God

Sam Aliano
Summer Rose

Elias Andra
Julien-k

Brian Barnett
Hank Williams Jr.

Frank Bianchini
Living In Question

Gregg Bissonette
Independent

Brady Blade
*Emmylou Harris
Dave Matthews*

Kevin "Kash" Bligh
5606



DJ Bonebrake
X

Rick Brothers
Independent

Jordan Burns
Strung Out

David Calarco
Independent

Will Calhoun
Living Colour

Moe Carlson
Protest the Hero

Judy Cocuzza
Patsy Grind



Tony Coleman
B.B. King

Rocky Covington
Bucky Covington

Malcolm Cross
Pete Yorn

Nick DeVirgilio
*Spock's Beard/
Tears for Fears*

Liberty DeVitto
Independent

Marko Djordjevic
The Drummer's Collective

Jim Donovan
Independent



Vince Ector
Independent

Erik Eldenius
Independent

Dom Famularo
Independent

Derrick Frost
Chiodos

Mike Hodges
Adrian Belew

Nioshi Jackson
*Nashville Star/
Sarah Butler*



Rory Koff
No Use For a Name

Waldo Madera
Ricky Martin

Cole Marcus
Independent

Jason Marsalis
Independent

Mitch Marine
Dwight Yoakam

Mat Marucci
*Cadence/CIMP
Recording Artist*



Marty Merril
Duke Ellington

Kevin Miller
Foster Child

Mike Novak
Every Time I Die

Doug Pellerin
Independent

Chris Pennie
Coheed and Cambria



Darla Rae Perlozzi
Independent

Ralph Peterson Jr.
Berklee College of Music

Wardell Pearson
Vivian Green

Tony Pia
Brian Setzer Orchestra



Keech Rainwater
Lonestar

Walfredo Reyes Jr.
Lindsey Buckingham

Herlin Riley
Wynton Marsalis

Darrell Robinson
Franklin Bridge

Jerry Roe
*Head Automatica/
The Wreckers*



Fernando Sanchez
Independent

Ty Smith
Bullets and Octane

Glen Sobel
Elliott Yamin

Erik Tribbett
Kalis

Tom Van Schaik
Robert Earl Keen

Rashid Williams
Eric Robertson

Trevitt Wingo
The Sword

Matt Wolfe
Byzantine



DRUMS & HARDWARE 2008





EVERY DAY,

hundreds of people around the world work to make sure that every Mapex product makes your drumming experience the most satisfying part of your day.

From the engineers that lay out the original designs, to the skilled craftsmen that hand build the product, to our dedicated network of independent retailers that help you select the drum set that's right for you — Mapex has an entire network of people that want you to be happy with your drums.

All Mapex products are hand built and hand assembled by the artisans at its wholly owned factory in Tianjin, China. The people at Mapex have earned a distinguished reputation for designing, engineering and building the highest quality acoustic drums. In fact, Mapex is one of the only companies of its kind to have earned ISO9001 certification — the world's standard for manufacturing excellence.

Building the highest quality product initially depends on the expertise of those that select the raw materials — in particular, the wood. This is why the Mapex Professional Wood Grading Team selects only the finest raw materials to build its drums.

Premium grade hardwoods like maple, walnut, birch and basswood are hand-selected from worldwide sources and are then matched by skilled experts to ensure that every drum Mapex produces carries with it the signature tonal and resonant properties that define the distinctive Mapex sound.

Mapex not only wants you to sound your best, you need to look great too. On all of its painted drums, Mapex finish experts hand apply an eight-coat, hand-rubbed, high-gloss lacquer to each shell. Mapex finishes are durable, easy to maintain and will help make you the envy of your drumming community.

The employees at Mapex apply the same high standard of quality across the entire family of products. Every Mapex drum, regardless of price, is built to exacting specifications. Mapex has created a working environment that encourages growth, spirit and dedication to craftsmanship. The people that make Mapex drums are the best at what they do and they take pride in their ability to do it.

The result is a drum that you will take on stage or into the studio with complete confidence that your style and creativity will be not only perfectly reproduced, but enhanced. With your Mapex drum set, your talent and personality will be faithfully delivered to your audience, whether you're playing to a crowd of twenty or twenty-thousand. You'll ultimately take as much pride in owning a Mapex drum as the expert builders did when it was made.



USA.MAPEXDRUMS.COM



Will Calhoun
Living Colour

ORION

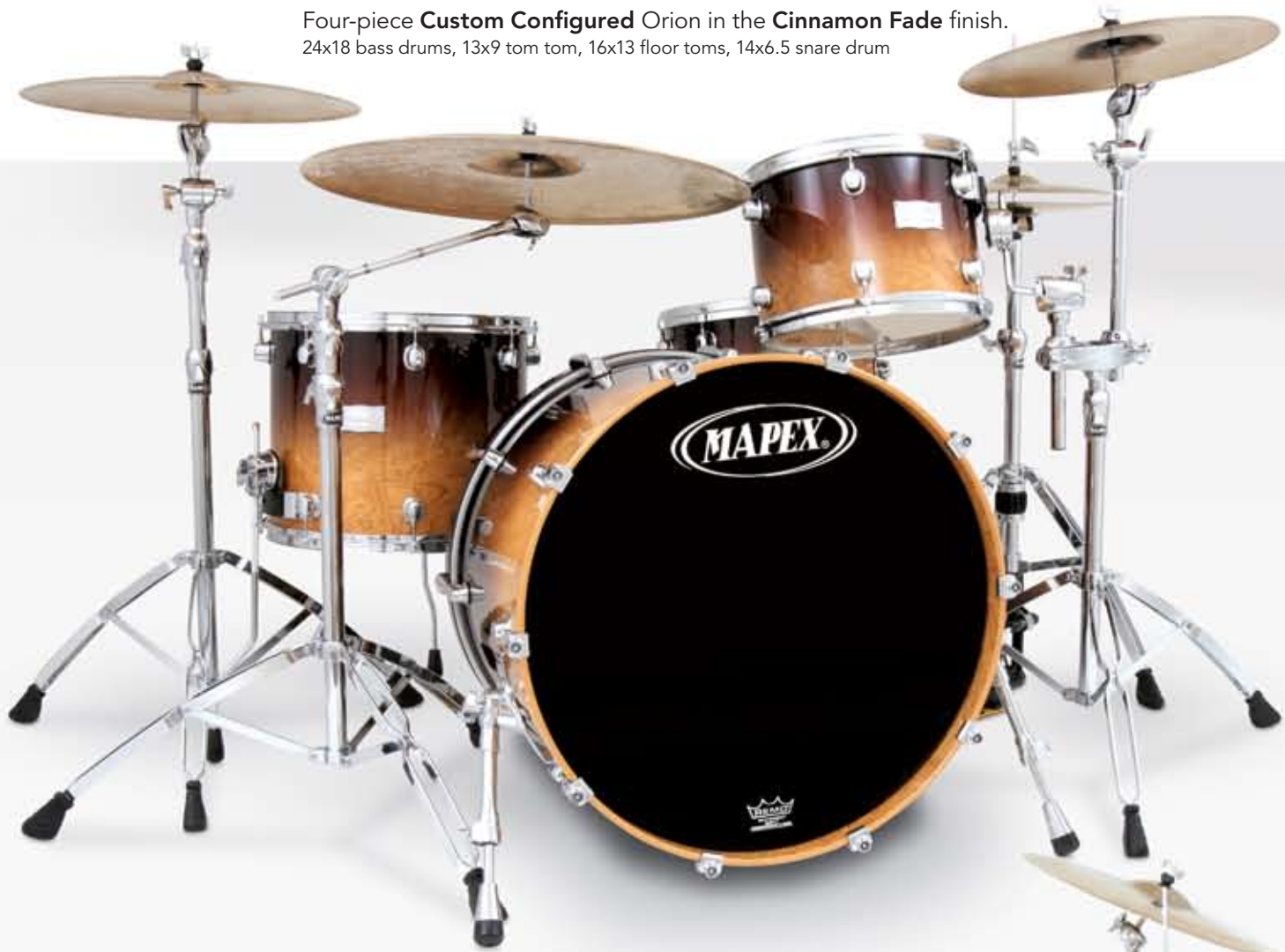
If you were asked to describe the perfect drum, would you mention beautiful wood grain with a deep, hand rubbed finish? Thin, responsive shells that deliver precise tone and perfect resonance?

If this is your idea of the perfect drum, then the Mapex Orion Series should get your attention. Sold exclusively by component, you are assured that your Orion Series drum set will fit you perfectly and be exactly what you've always wanted.



Five-piece **Custom Configured** Orion in the new **Butter Burst** finish.
22x18 bass drum, 10x8, 12x9 tom toms, 14x14 floor tom, 14x5.5 snare drum

Four-piece **Custom Configured Orion** in the **Cinnamon Fade** finish.
24x18 bass drums, 13x9 tom tom, 16x13 floor toms, 14x6.5 snare drum



Six-piece **Custom Configured Orion** in the **Blue Mist Burst** finish.
(2) 24x18 bass drums, 13x9 tom tom, 16x16 and 18x16 floor toms, 14x7 snare drum



All Orion drums feature the Isolated Tom Mount System that allows the shell to vibrate freely and maximizes projection and resonance.



Orion drums come equipped with Remo® Ambassador™ heads.

The spectacular burlwood outer ply adds an exotic touch of luxury, while the eight coat hand applied lacquer finishes results in a deep, high gloss shine.

ORION

Seven-piece **Custom Configured Orion** in the **Ebony Burst** finish with **Black Chrome** hardware.
22x18 bass drum, 10x8, 12x9, 13x10 tom toms, 14x14 and 16x16 floor toms, 14x5.5 snare drum.



Blue Mist Burst (TN)



NEW Butter Burst (UB)



Cinnamon Fade (FS)



Coffee Burst (TO)



Ebony Burst (TK)



Imperial Burst (TL)



Teal Burst (TU)



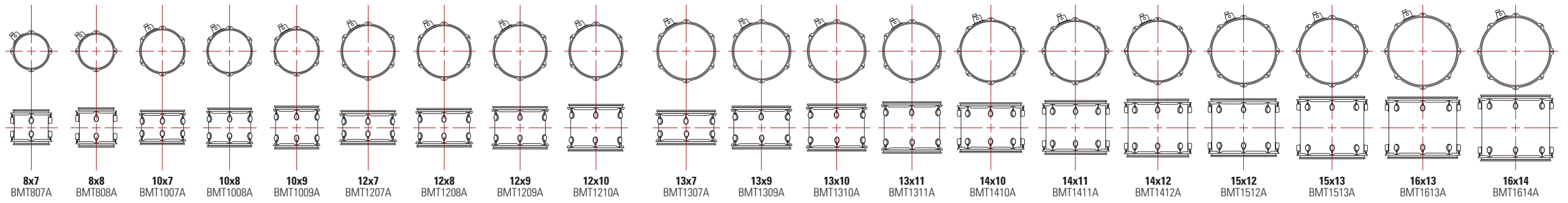
Transparent Red (TR)



Wine Burl Burst (TY)

FINISHES

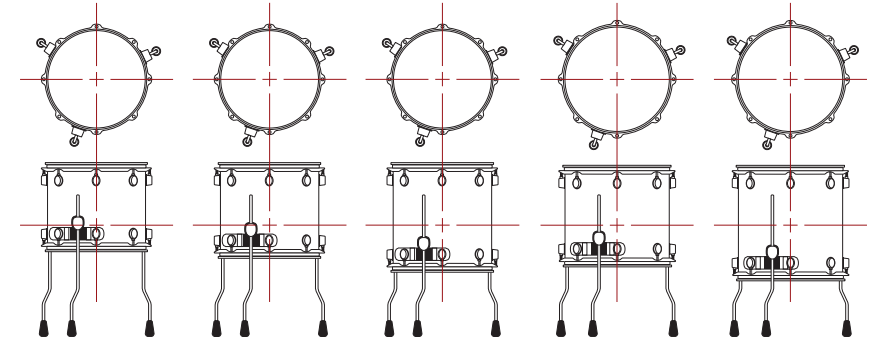
TOM TOMS



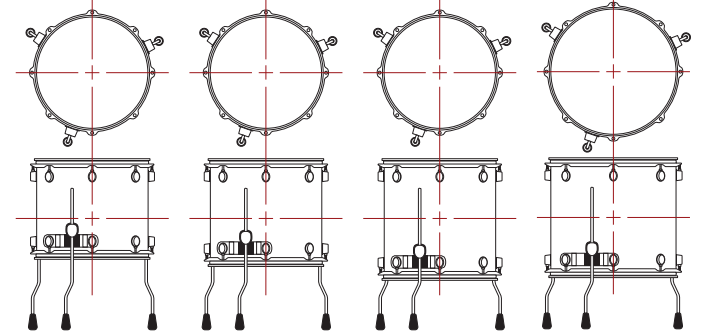
Five-piece Custom Configured Orion in the Wine Burl Burst finish. 22x20 bass drum, 12x9 tom tom, 14x12 and 16x14 floor toms, 14x5.5 snare drum.



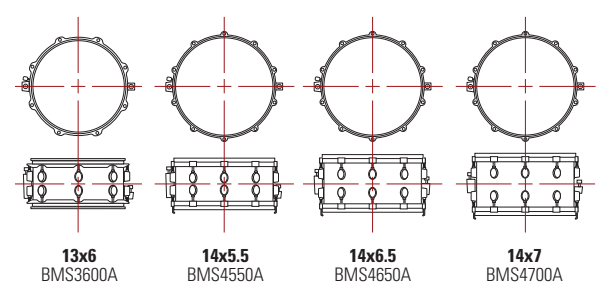
FLOOR TOMS



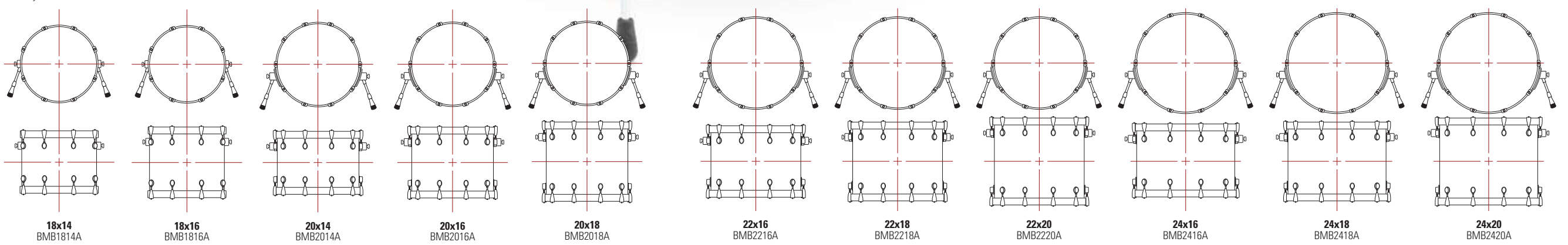
Orion Series components are shipped with our most popular chrome finish, but can also be special ordered with black chrome or gold plated hardware.



SNARES



BASS DRUMS



Some items and/or finishes may only be available via special order. Consult your retailer for details.

THE 2008 LIMITED EDITION ORION CHOCOLATE BURL

ABSOLUTELY DELICIOUS.

An exquisite exterior burl veneer sets this limited edition apart from anything else you'll ever find. Due to the unique nature of this product, its availability in North America will be highly restricted. If you've been waiting for the ultimate combination of unique beauty and incredible performance, your time has come. This is your drum set.

This limited edition is only available in six-piece component packs, including a 22x18 bass drum, 10x8 and 12x9 tom toms, 14x14 and 16x16 floor toms and a matching 14x5.5 snare drum, all featuring all-maple Orion shell construction and luxurious black chrome hardware and a classic, white coated front bass drum head.

Handmade in Italy, the remarkably figured exterior ply is formed together with six North American maple plies for an ultra-thin, ultra-resonant shell that's built to be enjoyed for generations.

Because this drum set's availability is so limited, it can only be purchased at participating Destination MapexSM Dealers.

Model number TM628SBPHNL

Orion Series Studioease Component Pack in
Crystal Krush Wrap [TM628SCKT]
Saturn Series Studioease Component Pack in
Crystal Krush Wrap [SW628SUKT]

DEVELOP A MAJOR KRUSH

Introducing three sparkling new
Krushed Glass Glitter finishes.

You asked, we listened. Krushed glass glitter wraps are now available for the Orion and Saturn Series. Available as a component pack only in the newly designed six-piece Studioease Configuration, these sparkling beauties will have you sounding and looking better than ever.

The Studioease component pack includes a 22x18 bass drum, 10x8 and 12x9 tom toms, 14x14 and 16x16 floor toms and a 14x5.5 snare drum.

Choose from an all-maple Orion or the maple and walnut Saturn Series, wrapped in a beautiful, high-quality Delmar® finish. Whether you prefer the diamond-like brilliance of Crystal Krush, the breathtaking sparkle of Copper Krush or the intriguing subtlety of the exclusive Cosmic Krush you'll capture the attention of everyone in the room like never before, as you perform on the most beautiful drum sets you ever laid eyes on.

Crystal Krush [KT]

DECISIONS, DECISIONS

Nobody said this was going to be easy. Whichever finish you choose — Crystal Krush, Copper Krush or Cosmic Krush — you'll be the proud owner of the hottest looking and best sounding high-performance drum set around.



Orion Series Studioease Component Pack in Copper Krush Wrap [TM628SCUKO]
Saturn Series Studioease Component Pack in Copper Krush Wrap [SW628SUKO]



Orion Series Studioease Component Pack in Cosmic Krush Wrap [TM628SCUKM]
Saturn Series Studioease Component Pack in Cosmic Krush Wrap [SW628SCUKM]



Copper Krush [KO]

Cosmic Krush [KM]



Chris Adler
Lamb Of God

SATURN



Saturn is ideal for any studio application and has been extensively tested in critical live situations. The Saturn is available in a wide range of configurations and individual components to satisfy any set-up.

The incredibly thin Saturn shell is made from four exterior plies of maple and two interior plies of walnut. The result is an instrument with superior resonance and tuning range and deep, rich tone that can only be achieved by a Saturn.

The new Saturn **Studioease Configuration** in the new **Sienna Burst** finish.

22x18 bass drum, 10x8 and 12x9 tom toms, 14x14 and 16x16 floor toms, 14x5.5 snare drum.

Sold as a shell pack or with the following hardware: TH682 tom holder, (2) B750A boom stands, S750A snare stand, H750A hi-hat stand, P750A pedal.

SATURN



Beginning in 2008, Saturn drums are available with Black Chrome hardware.

All Saturn toms feature Mapex's exclusive Isolated Tom Mount System for maximum shell projection and resonance.

The Saturn **Studioease Configuration** with add-on tom in the new **Blue Galaxy Sparkle Burst** finish.

[SW6245U] 22x18 bass drum, add-on 8x7, 10x8 and 12x9 tom toms, 14x14 and 16x16 floor toms, 14x5.5 snare drum. Shown with the following hardware: TS960A tom stand, TS550A tom stand, (2) B750A boom stands, S750A snare stand, H750A hi-hat stand, P750A pedal.

Saturn tom toms come equipped with Remo® Emperor™ heads.



The Saturn **Crossover 22 Configuration** in the **Root Beer Burst** lacquer finish.

[SW5286U] 22x16 bass drum, 12x9 tom tom, 14x14 and 16x16 floor toms, 14x5.5 snare drum. Sold with the following hardware: TS960A tom stands, (2) B750A boom stands, S750A snare stand, H750A hi-hat stand, P750A pedal.

Saturn drums feature eight coat hand-applied lacquer finishes for high-gloss and durability.



Saturn drum sets come with heavy-duty Mapex 750A Series double braced hardware.

The Saturn **Plus Bass Rock 24 Configuration** with the **Plus Bass 24 Add-On Pack** in the new **Gloss Natural** finish.

[SW4496U] 24x20 bass drum, 12x9 tom tom, 16x16 floor tom, 14x7 snare drum. Sold with the following hardware: TS960A tom stand, (2) B750A boom stands, S750A snare stand, H750A hi-hat stand, P750A pedal. Add-On pack [SWPK408U] comes with 24x20 bass drum, 10x8 tom tom, 18x16 floor tom, P750A pedal, TS960A tom stand, AC906 mult-clamp.

SATURN



Black Cherry Sparkle (YS)

Laser Ivory (LI)



NEW Blue Galaxy Sparkle Burst (TT)

Mango Burst (TM)



Electric Berry Burst (TH)

Root Beer Burst (TX)



Electric Blue Sparkle (EU)

NEW Sienna Burst (IT)



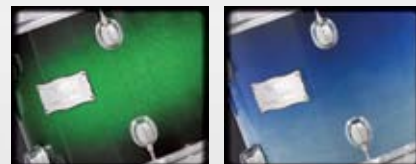
Galaxy Burst (TJ)

Transparent Black (TB)



NEW Gloss Natural (NL)

Transparent Cherry Red (CY)



Green Apple Burst (TG)

Twilight Stardust (SU)



Laser Canary (LC)

FINISHES

The Saturn **Fusionease Configuration** in the **Green Apple Burst** lacquer finish.

[SW5245U] 22x18 bass drum, 10x8 and 12x9 tom toms, 14x14 floor tom, 14x5.5 snare drum. Sold with the following hardware: TH682 tom holder, (2) B750A boom stands, S750A snare stand, H750A hi-hat stand, P750A pedal.

● Saturn bass drums also come with off-the shell mounted telescopic legs.

● Cushioned, die cast bass drum claws add style and precise tuning.



The Saturn **Plus Bass Rock 24 Configuration** in the **Transparent Cherry Red** lacquer finish.

[SW4496U] 24x20 bass drum, 12x9 tom tom, 16x16 floor tom, 14x7 snare drum. Sold with the following hardware: TS960A tom stand, (2) B750A boom stands, S750A snare stand, H750A hi-hat stand, P750A pedal.



The Saturn Series is available with chrome or black chrome hardware.



CONFIGURATIONS

Configuration	Bass Drum	Tom Toms	Floor Toms	Snare Drum	Tom Holder	Tom Stand	Boom Stand	Cymbal Stand	Snare Stand	Hi-Hat Stand	Pedal	Multi-Clamp
7-PIECE DRUM SETS												
Plus Bass Fusion Pop 22 SW7287U	22 x 20	8 x 7 10 x 8 12 x 9	14 x 12 16 x 14	14 x 5.5		TS960A TS550A	B750A (x2)		S750A	H750A	P750A	
6-PIECE DRUM SETS												
Studioease SW6245U	22 x 18	10 x 8 12 x 9	14 x 14 16 x 16	14 x 5.5	TH682		B750A (x2)		S750A	H750A	P750A	
Studio SW6225U	22 x 18	10 x 8 12 x 9 14 x 11 16 x 13		14 x 5.5	TH682	TS550A	B750A (x2)		S750A	H750A	P750A	
5-PIECE DRUM SETS												
Crossover 22 SW5286U	22 x 16	12 x 9	14 x 14 16 x 16	14 x 5.5		TS960A	B750A (x2)		S750A	H750A	P750A	
Standard SW5255U	22 x 18	12 x 9 13 x 10	16 x 16	14 x 5.5	TH682		B750A (x2)		S750A	H750A	P750A	
Fusionease SW5245U	22 x 18	10 x 8 12 x 9	14 x 14	14 x 5.5	TH682		B750A (x2)		S750A	H750A	P750A	
Fusion SW5225U	22 x 18	10 x 8 12 x 9 14 x 11		14 x 5.5	TH682 TH684		B750A (x2)		S750A	H750A	P750A	AC901
Jazz SW5045U	20 x 18	10 x 8 12 x 9	14 x 14	14 x 5.5	TH682		B750A (x2)		S750A	H750A	P750A	
4-PIECE DRUM SETS												
Plus Bass Rock 24 SW4496U	24 x 20	12 x 9	16 x 16	14 x 7		TS960A	B750A (x2)		S750A	H750A	P750A	
Manhattan SW4815U	18 x 14	12 x 8	14 x 14	14 x 5.5	TH683		B350A	C350A	S350A	H750A	P350A	AC909
SHELL PACKS												
Plus Bass Fusion Pop 22 Shell Pack SW7285U	22 x 20	8 x 7 10 x 8 12 x 9	14 x 12 16 x 14	14 x 5.5								
Studioease Shell Pack SW6245U	22 x 18	10 x 8 12 x 9	14 x 14 16 x 16	14 x 5.5	TH682							
Fusionease Shell Pack SW5245U	22 x 18	10 x 8 12 x 9	14 x 14	14 x 5.5	TH682							
ADD-ON PACK												
Plus Bass 24 Add-On SWPK408U	24 x 20	10 x 9	18 x 16			TS960A					P750A	AC906

The Saturn **Plus Bass Fusion Pop 22 Configuration** in the **Galaxy Burst** finish.

[SW7287U] 22x20 bass drum, 8x7, 10x8 and 12x9 tom toms, 14x12 and 16x14 floor toms, 14x5.5 snare drum. Sold as a shell pack or with the following hardware: TS960A and TS550A tom stands, (2) B750A boom stands, S750A snare stand, H750A hi-hat stand, P750A pedal.



Some items and/or finishes may only be available via special order. Consult your retailer for details.

Bass Drums	
SWB1814U	18 x 14
SWB1816U	18 x 16
SWB2014U	20 x 14
SWB2016U	20 x 16
SWB2018U	20 x 18
SWB2216UA*	22 x 16
SWB2218U	22 x 18
SWB2220UA*	22 x 20
SWB2418U*	24 x 18
SWB2420U*	24 x 20

Tom Toms	
SWT807U	8 x 7
SWT808U	8 x 8
SWT1055U	10 x 5.5
SWT1007U	10 x 7
SWT1008U	10 x 8
SWT1009U	10 x 9
SWT1206U	12 x 6
SWT1208U	12 x 8
SWT1209U	12 x 9
SWT1210U	12 x 10
SWT1310U	13 x 10
SWT1311U	13 x 11
SWT1407U	14 x 7
SWT1410U	14 x 10
SWT1411U	14 x 11
SWT1412U	14 x 12
SWT1512U	15 x 12
SWT1513U	15 x 13
SWT1613U	16 x 13
SWT1614U	16 x 14

Floor Toms	
SWF1412U	14 x 12
SWF1414U	14 x 14
SWF1513U	15 x 13
SWF1515U	15 x 15
SWF1614U	16 x 14
SWF1616U	16 x 16
SWF1816U	18 x 16

Snare Drums	
SWS3550U	13 x 5.5
SWS4550U	14 x 5.5
SWS4650U	14 x 6.5
SWS4700U	14 x 7

*does not include tom mount

This drum set started out as a fusion set-up [SWS245U], but by adding an 8x7 and 16x14 tom toms, it's evolved into a versatile custom kit.

Consult your authorized Mapex Retailer for information on configuring your own custom Saturn drum set.

SUPER SIZE A SATURN



Chris Pennie
Coheed and Cambria

PRO M

It's not hard to figure out why the Pro M is Mapex's fastest growing series. Not when you consider that the Pro M, with its thin maple shells, professional appointments and luxurious finishes sells for a price that's within reach of every serious player.

The Pro M features the exclusive Isolated Tom Mount System, heavy duty, double braced hardware and a huge selection of gorgeous lacquer finishes or high quality Delmar® wrapped finishes.

When you're ready to get serious about a drum set, you'll be ready to get serious about a Pro M.



The new Pro M **Studioease Configuration** in the new **Sapphire Fade** finish.

22x18 bass drum, 10x8 and 12x9 tom toms, 14x11 and 16x13 floor toms, 14x5.5 snare drum.

Sold with the following hardware: TH675 tom holder, B550A boom stand, C550 cymbal stand, S550A snare stand, H750A hi-hat stand, P750A pedal.

The Pro M **Crossover 22 Configuration** in the **Ruby Red Pearl** finish.

[PM5286U] 22x18 bass drum, 12x9 tom tom, 14x14, 16x16 floor toms, 14x5.5 snare drum. Sold with the following hardware: TS960A tom stand, (2) B550A boom stands, S550A snare stand, H750A hi-hat stand, P750A pedal.

Pro M covered finishes are supplied by Delmar® for the ultimate in quality style and protection.

The Pro M **Standard Configuration** in the **Red Wood Fade** finish.

[PM5255U] 22x18 bass drum, 12x9, 13x10 tom toms, 16x16 floor tom, 14x5.5 snare drum. Sold with the following hardware: TS675 tom holder, B550A boom stand, C550A cymbal stand, S550A snare stand, H750A hi-hat stand, P750A pedal.

Pro M Snares feature ten split-style lugs for precise tuning

Exclusive Isolated Tom Mounts preserve resonance and sustain.

The Pro M's all maple shells are finished with eight hand-applied coats of high gloss lacquer for a deep and durable shine.

The Pro M **Classic Configuration** with the **Plus Bass 22 Add-on Pack** in the new **Sienna Burst** finish.

[PM4266U] 22x20 bass drum, 12x9 tom tom, 16x16 floor tom, 14x7 snare drum. Sold with the following hardware: TS960A tom stand, (2) B550A boom stands, S550A snare stand, H750A hi-hat stand, P750A pedal. Add-on Pack [PMPK208U] includes 22x20 bass drum, 10x8 tom tom, 18x16 floor tom, P750A pedal, TS960A tom stand, AC906 multi-clamp

PRO M



Bermuda Sparkle (OS) Red Wood Fade (OF)



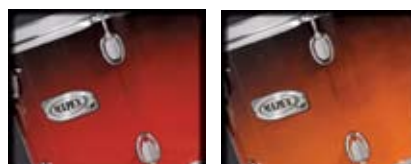
Black Chrome Pearl (KP) Ruby Red Pearl (RP)



Boston Pewter Fade (PF) **NEW** Sapphire Fade (SI)



Caramel Fade (YL) **NEW** Sienna Burst (IT)



Cherry Fade (RF) Tobacco Fade (TF)



Gloss Natural (NL) Transparent Cherry Red (CY)



NEW Honey Maple Burst (HT) Transparent Emerald Green (EG)



Liquid Blue Pearl (LP) Transparent Midnight Black (MB)



Platinum Sparkle (SS) Vanilla Cream Pearl (VP)

FINISHES

BUY the KIT GET the CAT



When you purchase a 2008 Pro M drum set, you'll receive this exclusive 13x6 Cherry and Maple **Black Panther Snare Drum FREE!**

Model BPCM3605MB. Offer only valid with the purchase of 2008 Pro M Series Models. Offer not available on Special Edition products. See retailer for details. Offer expires December 31, 2008.

The Pro M **Studioease Configuration** with add-on tom in the new **Honey Maple Burst** finish.

[PM7287U] 22x18 bass drum, add-on 8x7, 10x8, 12x9 tom toms, 14x14, 16x16 floor toms, 14x5.5 snare drum. Shown with the following hardware: TH675 and TH684 tom holders, (2) B550A boom stands, C550A cymbal stand, S550A snare stand, H750A hi-hat stand, P750A pedal, AC901 multi-clamp

Some items and/or finishes may only be available via special order. Consult your retailer for details.

PRO M



Pro M floor toms legs have spring loaded feet that absorb the shock of fierce playing. Drum head life is extended while response is enhanced.

CONFIGURATIONS

Configuration	Bass Drum	Tom Toms	Floor Toms	Snare Drum	Tom Holder	Tom Stand	Boom Stand	Cymbal Stand	Snare Stand	Hi-Hat Stand	Pedal	Multi-Clamp
7-PIECE DRUM SETS												
Plus Bass Fusion Pop 22 PM7287U	22 x 20	8 x 7 10 x 8 12 x 9	14 x 12 16 x 14	14 x 5.5 FREE 13 x 6		TS960A TS550A	B550A (x2)		S550A	H750A	P750A	
6-PIECE DRUM SETS												
Classic Plus PM6296U	22 x 20	12 x 9 13 x 10	16 x 16 18 x 16	14 x 7 FREE 13 x 6		TS960A (x2)	B550A		S550A	H750A	P750A	
Studioease PM6245U	22 x 18	10 x 8 12 x 9	14x14 16x16	14 x 5.5 FREE 13 x 6	TH675		B550A	C550A	S550A	H750A	P750A	
Studio PM6225U	22 x 18	10 x 8 12 x 9 14 x 11 16 x 13		14 x 5.5 FREE 13 x 6	TH675	TS550A	B550A	C550A	S550A	H750A	P750A	
5-PIECE DRUM SETS												
Rock PM5466U	24 x 18	13 x 10	16 x 16 18 x 16	14 x 6.5 FREE 13 x 6		TS960A	B550A (x2)		S550A	H750A	P750A	
Crossover 22 PM5286U	22 x 18	12 x 9	14 x 14 16 x 16	14 x 5.5 FREE 13 x 6		TS960A	B550A (x2)		S550A	H750A	P750A	
Standard PM5255U	22 x 18	12 x 9 13 x 10	16 x 16	14 x 5.5 FREE 13 x 6	TH675		B550A	C550A	S550A	H750A	P750A	
Fusionease PM5245U	22 x 18	10 x 8 12 x 9	14 x 14	14 x 5.5 FREE 13 x 6	TH675		B550A	C550A	S550A	H750A	P750A	
Fusion PM5225U	22 x 18	10 x 8 12 x 9 14 x 11		14 x 5.5 FREE 13 x 6	TH675 TH684		B550A	C550A	S550A	H750A	P750A	AC901
Jazz PM5045U	20 x 18	10 x 8 12 x 9	14 x 14	14 x 5.5 FREE 13 x 6	TH675		B550A	C550A	S550A	H750A	P750A	
Micro PM5875U	18 x 14	10 x 5.5 12 x 6 14 x 7		13 x 5 FREE 13 x 6	TH675 TH684		B350A (x2)		S350A	H350A	P750A	AC901 AC909
4-PIECE DRUM SETS												
Classic PM4266U	22 x 20	12 x 9	16 x 16	14 x 7 FREE 13 x 6		TS960A	B550A (x2)		S550A	H750A	P750A	
Manhattan PM4815U	18 x 14	12 x 8	14 x 14	14 x 5.5 FREE 13 x 6	TH686		B350A	C350A	S350A	H350A	P750A	AC909
ADD-ON PACK												
Plus Bass 22 Add-On Pack PMPK208U	22 x 20	10 x 8	18 x 16			TS960A					P750A	AC906

COMPONENTS

Bass Drums	
PMB1814N	18 x 14
PMB1816N	18 x 16
PMB2016N	20 x 16
PMB2018N	20 x 18
PMB2216N	22 x 16
PMB2218N	22 x 18
PMB2218NA*	22 x 18
PMB2220NA*	22 x 20
PMB2418N*	24 x 18
PMB2420N*	24 x 20
Tom Toms	
PMT804N	8 x 4
PMT807N	8 x 7
PMT808N	8 x 8
PMT1055N	10 x 5.5
PMT1007N	10 x 7
PMT1008N	10 x 8
PMT1009N	10 x 9
PMT1206N	12 x 6
PMT1208N	12 x 8
PMT1209N	12 x 9
PMT1210N	12 x 10
PMT1309N	13 x 9
PMT1310N	13 x 10
PMT1311N	13 x 11
PMT1407N	14 x 7
PMT1410N	14 x 10
PMT1411N	14 x 11
PMT1412N	14 x 12
PMT1608N	16 x 8
PMT1613N	16 x 13
PMT1614N	16 x 14
Floor Toms	
PMF1412N	14 x 12
PMF1414N	14 x 14
PMF1515N	15 x 15
PMF1613N	16 x 13
PMF1614N	16 x 14
PMF1616N	16 x 16
PMF1816N	18 x 16
Snare Drums	
PMS3506U	13 x 5
PMS4566U	14 x 5.5
PMS4666U	14 x 6.5
PMS4706U	14 x 7
PMS4806U	14 x 8

*does not include tom mount



Mike Novak
Every Time I Die

M BIRCH

The Mapex M Birch has established itself as one of America's favorite drum sets. Tonally superior birch shells with a beautiful exterior ply of maple, striking high-gloss transparent lacquer finishes, double braced hardware and a FREE add-on tom tom — what's not to love?

This year, we've introduced two new colors and two new configurations, giving you an even broader selection of this remarkable drum series.



The new M Birch **Studioease Configuration** in the new **Hermosa Fade** finish.

22x18 bass drum, FREE 8x8, 10x8 and 12x9 tom toms, 14x11 and 16x13 floor toms, 14x5.5 snare drum.

Sold with the following hardware: TH684 tom holder, B550A boom stand, C550A cymbal stand, S550A snare stand, H550A hi-hat stand, P550A pedal.



The M Birch **Studioease Configuration** with **free add-on tom** in the **Black Forest Sapphire** finish.

[MB5245A] 22x18 bass drum, free add-on 8x7, 10x8, 12x9 tom toms, 14x14, 16x16 floor toms, 14x5.5 snare drum. Sold with the following hardware: TH650 and TH684 tom holders, B550A boom stand, C550A cymbal stand, S550A snare stand, H550A hi-hat stand, P550A pedal, AC901 multi-clamp

M Birch drum sets are sold with a full complement of double braced 550A Series hardware.

Beautiful, rich, hand-applied lacquer finishes are translucent so the natural wood grain shows through.

The M Birch **Jazz Configuration** with **free add-on tom** in the **Transparent Honey Amber** finish.

[MB5045A] 20x18 bass drum, free add-on 8x8, 10x8, 12x9 tom toms, 14x14 floor tom, 14x5.5 snare drum. Sold with the following hardware: TH650 and TH684 tom holders, B550A boom stand, S550A snare stand, H550A hi-hat stand, P550A pedal, AC901 multi-clamp

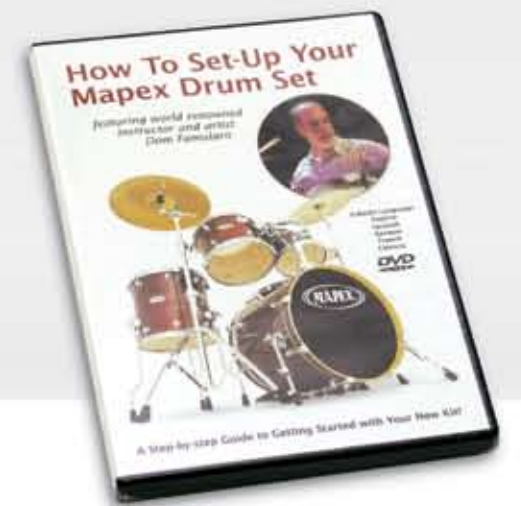


All M Birch drums feature genuine Remo® heads.

The M Birch **Rock 24 Configuration** with **free add-on tom** in the **Black Forest Cherry** finish.

[MB4466A] 24x18 bass drum, free add-on 10x8, 12x9 tom toms, 16x16 floor tom, 14x6.5 snare drum. Sold with the following hardware: TS961A tom stand, TS684 tom holder, (2) B550A boom stands, S550A snare stand, H550A hi-hat stand, P550A pedal, AC901 multi-clamp

M Birch free add-on toms also include mounting hardware.



M Birch drum sets come with an instructional DVD hosted by Mapex International Clinician, Dom Famularo

M BIRCH



Black Forest Cherry (BC)



Transparent Purple (TP)



Black Forest Green (BG)



Transparent Sapphire (TS)



Black Forest Sapphire (ST)



NEW Hermosa Fade (HF)



Transparent Cherry (CY)



Transparent Emerald Green (EG)



Transparent Honey Amber (HA)



NEW Transparent Midnight Black (MB)

FINISHES

The M Birch **Rock 22 Configuration** with **free add-on tom** in the new **Transparent Midnight Black** finish.

[MB5045A] 22x18 bass drum, free add-on 10x8, 12x9 tom toms, 16x16 floor tom, 14x5.5 snare drum. Sold with the following hardware: TH650A and TH684 tom holders, B550A boom stand, S550A snare stand, H550A hi-hat stand, P550A pedal, AC901 multi-clamp



The Best Deal in Birch Drums Continues

Buy a new 2008 model M Birch drum set from an Authorized Mapex Retailer and get an 8-inch or 10-inch tom tom with mounting hardware **FREE!** (See table on adjacent page.)

See retailer for details. Offer expires December 31, 2008.

M BIRCH

Some items and/or finishes may only be available via special order. Consult your retailer for details.

CONFIGURATIONS

Configuration	Bass Drum	Tom Toms	Floor Toms	Snare Drum	Tom Holder	Tom Stand	Boom Stand	Cymbal Stand	Snare Stand	Hi-Hat Stand	Pedal	Multi-Clamp
7-PIECE DRUM SETS												
NEW Studioease MB6245A	22 x 18	FREE 8 x 8 10 x 8 12 x 9	14 x 14 16 x 16	14 x 5.5	TH650 TH684		B550A	C550A	S550A	H550A	P550A	AC901
Studio MB6225A	22 x 18	FREE 8 x 8 10 x 8 12 x 9 14 x 11 16 x 13		14 x 5.5	TH650 TH684	TS550A	B550A	C550A	S550A	H550A	P550A	AC901
6-PIECE DRUM SETS												
Crossover 22 MB5285A	22 x 18	FREE 10 x 8 12 x 9	14 x 14 16 x 16	14 x 5.5	TH653 TH684		B550A	C550A	S550A	H550A	P550A	AC901
Standard MB5255A	22 x 18	FREE 10 x 8 12 x 9 13 x 10	16 x 16	14 x 5.5	TH650 TH684		B550A	C550A	S550A	H550A	P550A	AC901
Fusionease MB5245A	22 x 18	FREE 8 x 8 10 x 8 12 x 9	14 x 14	14 x 5.5	TH650 TH684		B550A	C550A	S550A	H550A	P550A	AC901
Fusion MB5225A	22 x 18	FREE 8 x 8 10 x 8 12 x 9 14 x 11		14 x 5.5	TH650 TH684 (x2)		B550A	C550A	S550A	H550A	P550A	AC901 (x2)
Jazz MB5045A	20 x 18	FREE 8 x 8 10 x 8 12 x 9	14 x 14	14 x 5.5	TH650 TH684		B550A	C550A	S550A	H550A	P550A	AC901
5-PIECE DRUM SETS												
Rock 24 MB4466A	24 x 18	FREE 10 x 8 12 x 9	16 x 16	14 x 6.5	TH684	TS961A	B550A (x2)		S550A	H550A	P550A	AC901
NEW Rock 22 MB4265A	22 x 18	FREE 10 x 8 12 x 9	16 x 16	14 x 6.5	TH684		B550A	C550A	S550A	H550A	P550A	AC901
ADD-ON PACKS												
GO-LARGE Add-on Pack MBBF2218PK	22 x 18		18 x 16		TH650		B550A				P550A	

COMPONENTS

Bass Drums	
MBB1814	18 x 14
MBB2016	20 x 16
MBB2018	20 x 18
MBB2216	22 x 16
MBB2218	22 x 18
MBB2418	24 x 18
Tom Toms	
MBT807	8 x 7
MBT808	8 x 8
MBT1007	10 x 7
MBT1008	10 x 8
MBT1009	10 x 9
MBT1208	12 x 8
MBT1209	12 x 9
MBT1210	12 x 10
MBT1309	13 x 9
MBT1310	13 x 10
MBT1311	13 x 11
MBT1411	14 x 11
MBT1412	14 x 12
MBT1613	16 x 13
MBT1614	16 x 14
Floor Toms	
MBF1414	14 x 14
MBF1616	16 x 16
MBF1816	18 x 16
Snare Drums	
MBS4556	14 x 5.5
MBS4656	14 x 6.5

The M Birch **Standard Configuration** with **free add-on tom** in the **Transparent Cherry Red** finish with the **GO LARGE Add-On Pack**

[MB5255A] 22x18 bass drum, free add-on 10x8, 12x9, 13x10 tom toms, 16x16 floor tom, 14x5.5 snare drum. TH650 and TH684 tom holders, B550A boom stand, stand, C550A cymbal stand, S550A snare stand, H550A hi-hat stand, P550A pedal, AC901 multi-clamp. The GO LARGE PACK [MBBF2218PK] includes 22x18 bass drum, 18x16 floor tom, P550A pedal, B550A boom stand, TH650 tom holder





Derrick Frost
Chiodos

VX SERIES

The VX Series features lacquer-finished genuine basswood shells for deep, rich tone with incredible visual appeal.

Unlike other drum sets in its price range, VX drum sets include the isolated tom mount system, double braced hardware and a padded throne.



The VX Series **Standard Configuration** in the **Liquid Blue Metallic** finish.

22x18 bass drum, 12x9, 13x10 tom toms, 16x16 floor tom and 14x5.5 snare drum. Sold with the following hardware: TH650 tom holder, B320A boom stand, C320A cymbal stand, S320A snare stand, H320A hi-hat stand, P320A pedal, T250A padded throne.



Liquid Blue Metallic (EA)



Liquid Green Metallic (EJ)



Liquid Silver Metallic (EL)



Polished Black (PB)

FINISHES

The VX Series **Fusionease Configuration** in the **Polished Black** finish

[VX5245TA] 22x18 bass drum, 10x8, 12x9 tom toms, 14x14 floor tom, 14x5.5 snare drum. Sold with the following hardware: TH650A tom holder, B320A boom stand, C320A cymbal stand, S320A snare stand, H320A hi-hat stand, P320A pedal, T250A throne.

VX Series drum sets include durable, double braced 320A Series hardware.



VX Series toms are equipped with Mapex's exclusive Isolated Tom Mount System, which allows the shell to vibrate freely for increased sustain.

VX Series bass drum hoops are wood, not plastic, and are lacquer finished to match the drum set.

Some items and/or finishes may only be available via special order. Consult your retailer for details.

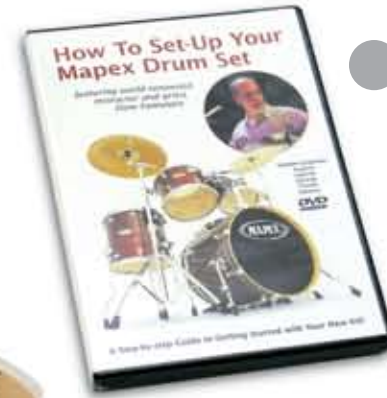
The VX Series **Jazz Configuration** in the **Liquid Metallic Silver** finish

[VX5045TA] 20x18 bass drum, 10x8, 12x9 tom toms, 14x14 floor tom, 14x5.5 snare drum. Sold with the following hardware: TH650 tom holder, B320A boom stand, C320A cymbal stand, S320A snare stand, H320A hi-hat stand, P320A pedal, T250A throne.



CONFIGURATIONS

Configuration	Bass Drum	Tom Toms	Floor Toms	Snare Drum	Tom Holder	Tom Holder	Boom Stand	Cymbal Stand	Snare Stand	Hi-Hat Stand	Pedal	Throne
5-PIECE DRUM SETS												
Standard VX5255TA	22 x 18	12 x 9 13 x 10	16 x 16	14 x 5.5	TH650		B320A	C320A	S320A	H320A	P320A	T250A
Fusionease VX5245TA	22 x 18	10 x 8 12 x 9	14 x 14	14 x 5.5	TH650		B320A	C320A	S320A	H320A	P320A	T250A
Jazz VX5045TA	20 x 18	10 x 8 12 x 9	14 x 14	14 x 5.5	TH650		B320A	C320A	S320A	H320A	P320A	T250A
ADD-ON PACK												
8-inch and 10-inch Add-on Pack VXTK810A		8 x 8 10 x 8				TS550A						



VX Series drum sets come with an instructional DVD hosted by Mapex International Clinician, Dom Famularo



A fully adjustable padded throne is included.

The VX Series **Standard Configuration** with 8-inch add-on tom in the **Liquid Green Metallic** finish.

22x18 bass drum, 12x9, 13x10 tom toms, 16x16 and 14x5.5 snare drum. Shown with the following hardware: TH650 tom holder, B320A boom stand, C320A cymbal stand, S320A snare stand, H320A hi-hat stand, P320A pedal, T250A padded throne

COMPONENTS

Bass Drums	
VXB1814A	18 x 14
VXB1816A	18 x 16
VXB2014A	20 x 14
VXB2016A	20 x 16
VXB2018A	20 x 18
VXB2216A	22 x 16
VXB2218A	22 x 18
Tom Toms	
VXT807A	8 x 7
VXT808A	8 x 8
VXT1008A	10 x 8
VXT1009A	10 x 9
VXT1209A	12 x 9
VXT1210A	12 x 10
VXT1310A	13 x 10
VXT1311A	13 x 11
VXT1411A	14 x 11
VXT1412A	14 x 12
Floor Toms	
VXF1210A	12 x 10
VXF1414A	14 x 14
VXF1616A	16 x 16
VXF1816A	18 x 16
Snare Drums	
VXS2506A	12 x 5
VXS3506A	13 x 5
VXS4556A	14 x 5.5
VXS4656A	14 x 6.5



Jerry Roe
Head Automatica, The Wreckers



QR SERIES



If you're in search of a terrific first drum set or a solid second set for weekend gigs, the QR Series is the kit you need.

Genuine basswood shells provide rich, deep tone and the QR Series' features rival those found on far more expensive drum sets.

The QR Series **Standard Configuration** in the **Laser Silver** wrapped finish.

22x16 bass drum, 12x9, 13x10 tom toms, 16x16 and 14x5.5 snare drum. Sold with the following hardware: TH630 tom holder, (2) B300A boom stand, S300A snare stand, H300A hi-hat stand, P320A pedal, T250A padded throne.

FINISHES



Blue Sparkle (NS)



Burgundy Steel (YT)



Crimson Swirl (CW)



Gray Steel (GT)



Indigo Steel (UT)



Laser Silver (AS)



Onyx Sparkle (XS)

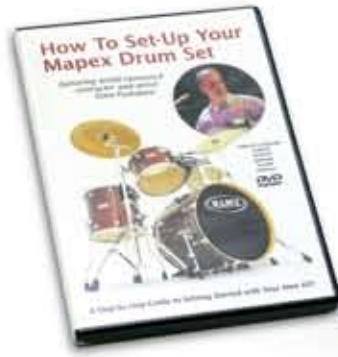


Peacock Swirl (QW)

The QR Series **Fusionease Configuration** in the **Blue Sparkle** wrapped finish

[QR5245TN] 22x16 bass drum, 10x8, 12x9 tom toms, 14x14 floor tom, 14x5.5 snare drum. Sold with the following hardware: TH630 tom holder, (2) B300A boom stands, S300A snare stand, H300A hi-hat stand, P320A pedal, T250A throne.

QR Series drum sets come with an instructional DVD hosted by Mapex International Clinician, Dom Famularo



CONFIGURATIONS

Configuration	Bass Drum	Tom Toms	Floor Toms	Snare Drum	Tom Holder	Boom Stand	Snare Stand	Hi-Hat Stand	Pedal	Throne	Multi-Clamp	Planet Z Cymbals
5-PIECE DRUM SETS												
Standard QR5255TN	22 x 16	12 x 9 13 x 10	16 x 16	14 x 5.5	TH630	B300A (x2)	S300A	H300A	P320A	T250A		14" Hi-Hats 16" Crash 20" Ride
Fusionease QR5245TN	22 x 16	10 x 8 12 x 9	14 x 14	14 x 5.5	TH630	B300A (x2)	S300A	H300A	P320A	T250A		14" Hi-Hats 16" Crash 20" Ride
Voyager QR5845TN	18 x 16	10 x 8 12 x 9	14 x 14	14 x 5.5	TH630	B300A (x2)	S300A	H300A	P320A	T250A		14" Hi-Hats 16" Crash 20" Ride
Jazz QR5045TN	20 x 16	10 x 8 12 x 9	14 x 14	14 x 5.5	TH630	B300A (x2)	S300A	H300A	P320A	T250A		14" Hi-Hats 16" Crash 20" Ride
ADD-ON PACKS												
QR 8-inch Add-On Pack QR807PK		8 x 7			TH684						AC901	
QR 10-inch Add-on Pack QR1007PK		10 x 8			TH684						AC901	

The QR Series **Jazz Configuration** in the **Peacock Swirl** wrapped finish

[QR5045TN] 20x16 bass drum, 10x8, 12x9 tom toms, 14x14 floor tom, 14x5.5 snare drum. Sold with the following hardware: TH630 tom holder, (2) B300A boom stands, S300A snare stand, H300A hi-hat stand, P320A pedal, T250A throne.



QR Series drum sets now include Planet Z Cymbals. Made in the USA by Zildjian, Planet Z cymbals will get you started playing the day you bring your drums home.



The QR Series **Standard Configuration** in the **Burgundy Steel** wrapped finish

[QR5255TN] 22x16 bass drum, 12x9, 13x10 tom toms, 16x16 floor tom, 14x5.5 snare drum. Sold with the following hardware: TH630 tom holder, (2) B300A boom stands, S300A snare stand, H300A hi-hat stand, P320A pedal, T250A throne.

QR Series toms are equipped with Mapex's exclusive Isolated Tom Mount System, which allows the shell to vibrate freely for increased sustain.

QR Series drum sets include durable, double braced 300A Series hardware.

COMPONENTS

Bass Drums	
QRB1814	18 x 14
QRB1816	18 x 16
QRB2014	20 x 14
QRB2016	20 x 16
QRB2216	22 x 16
Tom Toms	
QRT807	8 x 7
QRT808	8 x 8
QRT1008	10 x 8
QRT1209	12 x 9
QRT1310	13 x 10
QRT1411	14 x 11
QRT1414	14 x 14
QRT1613	16 x 13
Floor Toms	
QRF1414	14 x 14
QRF1616	16 x 16
QRF1816	18 x 16
Snare Drums	
QRS4556	14 x 5.5
QRS4656	14 x 6.5

Some items and/or finishes may only be available via special order. Consult your retailer for details.

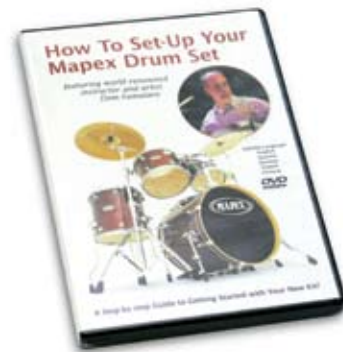
Q SERIES



Better drums for a better start!

The Q Series is ideal for those just starting out in the world of percussion. Available in three configurations and in two covered finishes, the Q-Series is a great drum set at a great price!

- Durable, high-gloss wrapped finish
- Double-braced hardware
- Single-point-contact lugs
- Matching basswood snare drum
- Padded drummer's throne included
- Remo® drumheads including self-muffling bass drum head
- Limited Lifetime Warranty on drum shells
- 5-year Limited Warranty on hardware



Q Series drum sets now include Planet Z Cymbals. Made in the USA by Zildjian, Planet Z cymbals will get you started playing the day you bring your drums home.

Zildjian



Q Series drum sets come with an instructional DVD hosted by Mapex International Clinician, Dom Famularo



Black (BL)



Burgundy (BY)

Configuration	Bass Drum	Tom Toms	Floor Toms	Snare Drum	Tom Holder	Cymbal Stand	Snare Stand	Hi-Hat Stand	Pedal	Throne	Planet Z Cymbals
Standard Q5254TA	22 x 16	12 x 10 13 x 11	16 x 16	14 x 5.5	TH630	C300A	S300A	H300A	P320A	T250A	14" Hi-Hats 16" Crash
Jazz Q5044TA	20 x 16	10 x 9 12 x 10	14 x 14	14 x 5.5	TH630	C300A	S300A	H300A	P320A	T250A	14" Hi-Hats 16" Crash
Voyager Q5844TA	18 x 16	10 x 9 12 x 10	14 x 14	14 x 5.5	TH630	C300A	S300A	H300A	P320A	T250A	14" Hi-Hats 16" Crash



TWENTY-NINE TIMES THE BANG



If you're only playing one snare sound, you're cheating yourself. Black Panther Snare Drums come in a wide variety of sizes and shell materials, giving you ample opportunity to expand your sonic palette.

Whether you add a steel, brass, bronze or premium wood Black Panther snare, you can count on maximum sensitivity, clarity and resonance. Black Panther Snares are built by hand to exacting specifications and

feature low-mass lugs, adjustable butt plates, easy-to-operate throw-offs, REMO® Weatherking™ heads, nylon tension rod washers and precision machined brass swivel nuts.

Whether you're shopping for your first snare drum or a seasoned pro in search of your thirtieth snare drum, Black Panther offers variety, quality and performance.

NO 01



NATURAL MAPLE 10x5.5

Shell Thickness: 5.1mm
Shell Finish: Gloss Natural
Hoops: 2.3mm Powerhoops
Hoop Finish: Chrome
Snare: 20-strand snappy
I.T.S. off-the-shell mounting system

BPML0550CNL



MAPLE

Mapex 2.3mm Powerhoops are used on selected models and provide ample strength and response for the hardest rimshots. Black Panther Snare Drums come equipped with genuine REMO® heads.



NO 02



NATURAL MAPLE 13x6

Shell Thickness: 5.1mm
Shell Finish: Gloss Natural
Hoops: 2.3mm Powerhoops
Hoop Finish: Chrome
Snare: 20-strand snappy

BPML3600CNL

NO 03



NATURAL MAPLE 14x6.5

Shell Thickness: 5.1mm
Shell Finish: Gloss Natural
Hoops: 2.3mm Powerhoops
Hoop Finish: Chrome
Snare: 20-strand snappy

BPML4650CNL

NO 04



BIRDSEYE MAPLE 14x5.5

Shell Thickness: 6.1mm
Shell Finish: Satin Black
Hoops: Die Cast Hoops
Hoop Finish: Black Chrome
Snare: 20-strand snappy

BPBE4550FB

BPML3600BTB

BLACK LACQUERED MAPLE 13x6

Shell Thickness: 5.1mm
Shell Finish: Transparent Gloss Black
Hoops: Die Cast Hoops
Hoop Finish: Black Chrome
Snare: 20-strand snappy



NO 05

BPML4550BTB

BLACK LACQUERED MAPLE 14x5.5

Shell Thickness: 5.1mm
Shell Finish: Transparent Gloss Black
Hoops: Die Cast Hoops
Hoop Finish: Black Chrome
Snare: 20-strand snappy



NO 06

BPML4650BTB

BLACK LACQUERED MAPLE 14x6.5

Shell Thickness: 5.1mm
Shell Finish: Transparent Gloss Black
Hoops: Die Cast Hoops
Hoop Finish: Black Chrome
Snare: 20-strand snappy



NO 07



Black Panther Snares feature fully adjustable and unobtrusive throw-offs for smooth and easy use.

BPBE4650FB

BIRDSEYE MAPLE 14x6.5

Shell Thickness: 6.1mm
Shell Finish: Satin Black
Hoops: Die Cast Hoops
Hoop Finish: Black Chrome
Snare: 20-strand snappy



NO 08

NO. 09

**PREMIUM WALNUT** 13x6

Shell Thickness: 8.5mm
Shell Finish: Brown Sugar Burst
Hoops: Die Cast Hoops
Hoop Finish: Black Chrome
Snare: 42-strand snappy

BPWT3600TBW

BLACK
PANTHER**WALNUT**

With its new high-gloss "Brown Sugar Burst" finish, the Black Panther Walnut Series is more beautiful than ever — and it still enjoys the same rich and saturating sonic advantages that it has always had. At right, all Black Panther Snares feature butt plates which allow quick and easy tool-free adjustments.



NO. 10

**PREMIUM WALNUT** 14x5.5

Shell Thickness: 8.5mm
Shell Finish: Brown Sugar Burst
Hoops: Die Cast Hoops
Hoop Finish: Black Chrome
Snare: 20-strand snappy

BPWT4550TBW



Mapex 3.0mm Die Cast Hoops are featured on Black Panther Walnut Snares. They provide incredible upper end "crack" and superior response.

Selected Black Panther models feature extra-wide 42-strand snappy snares.



NO. 11

**PREMIUM WALNUT** 14x6.5

Shell Thickness: 8.5mm
Shell Finish: Brown Sugar Burst
Hoops: Die Cast Hoops
Hoop Finish: Black Chrome
Snare: 42-strand snappy

BPWT4650TBW

PREMIUM BRASS 13x5.5

Shell Thickness: 1.2mm
Shell Finish: Natural Polished Brass
Hoops: 2.3mm Powerhoops
Hoop Finish: Black Chrome
Snare: 20-strand snappy

BPBR3551A



NO. 12

PREMIUM BRASS 14x5.5

Shell Thickness: 1.2mm
Shell Finish: Natural Polished Brass
Hoops: 2.3mm Powerhoops
Hoop Finish: Black Chrome
Snare: 20-strand snappy

BPBR4551A



NO. 13



Black Panther Brass Snares are built using 1.2mm pure brass for a tone that's slightly more delicate than steel. High end tones are faithfully produced with precise sensitivity and plenty of power when you need it most.

BRASSBLACK
PANTHER

BPBR455HB

HAMMERED BRASS 14x5.5

Shell Thickness: 1.2mm
Shell Finish: Black Plated Brass
Hoops: Die Cast Hoops
Hoop Finish: Black Chrome
Snare: 20-strand snappy



NO. 14

BPBR465HB

HAMMERED BRASS 14x6.5

Shell Thickness: 1.2mm
Shell Finish: Black Plated Brass
Hoops: Die Cast Hoops
Hoop Finish: Black Chrome
Snare: 20-strand snappy



NO. 15

NO. 16



STAINLESS STEEL 10x5.5

Shell Thickness: 1.0mm
Shell Finish: Black Plated
Hoops: 2.3mm Powerhoops
Hoop Finish: Black Chrome
Snare: 20-strand snappy
 I.T.S. off-the-shell mounting system

BPST0551

NO. 17



STAINLESS STEEL 14x5.5

Shell Thickness: 1.0mm
Shell Finish: Black Plated
Hoops: 2.3mm Powerhoops
Hoop Finish: Black Chrome
Snare: 20-strand snappy

BPST4551A

NO. 18



STAINLESS STEEL 14x6.5

Shell Thickness: 1.0mm
Shell Finish: Black Plated
Hoops: 2.3mm Powerhoops
Hoop Finish: Black Chrome
Snare: 20-strand snappy

BPST4651A



STEEL

Black Panther Steel Snares are famous for a razor sharp cut and explosive overtones. Mapex 2.3mm Powerhoops provide superior sensitivity and remarkable articulation.



NO. 19



HAMMERED STAINLESS STEEL 14x5.5

Shell Thickness: 1.0mm
Shell Finish: Chrome Plated
Hoops: Die Cast Hoops
Hoop Finish: Chrome
Snare: 20-strand snappy

BPST455H

BPPB4551

PHOSPHOR BRONZE 14x5.5

Shell Thickness: 1.2mm
Shell Finish: Natural Polished Bronze
Hoops: 2.3mm Powerhoops
Hoop Finish: Black Chrome
Snare: 20-strand snappy



NO. 20

BPPB4651

PHOSPHOR BRONZE 14x6.5

Shell Thickness: 1.2mm
Shell Finish: Natural Polished Bronze
Hoops: 2.3mm Powerhoops
Hoop Finish: Black Chrome
Snare: 42-strand snappy



NO. 21



Black Panther Phosphor Bronze Snares produce a unique sound that possesses the clarity and brightness that you would expect from a metal shell, but with a warmth and depth of a wood snare drum. The hand hammered versions create an even more distinctive sound.

BRONZE



BPPB455H

HAMMERED PHOSPHOR BRONZE 14x5.5

Shell Thickness: 1.2mm
Shell Finish: Natural Polished Bronze
Hoops: 2.3mm Powerhoops
Hoop Finish: Black Chrome
Snare: 20-strand snappy



NO. 22

BPPB465H

HAMMERED PHOSPHOR BRONZE 14x6.5

Shell Thickness: 1.2mm
Shell Finish: Natural Polished Bronze
Hoops: 2.3mm Powerhoops
Hoop Finish: Black Chrome
Snare: 20-strand snappy



NO. 23

NO. 24



CHERRY 13x6

Shell Thickness: 5.1mm
Shell Finish: Gloss Natural
Hoops: Die Cast Hoops
Hoop Finish: 24K Gold Plated
Snare: 20-strand snappy

BPCW3600NL



CHERRY

With tone that's slightly sweeter and more full-bodied than maple, the Black Panther Cherry Series is distinctive in both its sound and its looks. The high-gloss natural finished drums are appointed with 24K Gold lugs and hoops for an extra touch of luxury.



NO. 25



CHERRY 14x5.5

Shell Thickness: 5.1mm
Shell Finish: Gloss Natural
Hoops: Die Cast Hoops
Hoop Finish: 24K Gold Plated
Snare: 20-strand snappy

BPCW4550NL

NO. 26



CHERRY 14x6.5

Shell Thickness: 5.1mm
Shell Finish: Gloss Natural
Hoops: Die Cast Hoops
Hoop Finish: 24K Gold Plated
Snare: 42-strand snappy

BPCW4650NL

SPECIAL EDITION SNARE DRUMS



SS SOLID STEEL 14x5.5

Shell Thickness: 3.0mm at center
5.0mm at sound control ring
Shell Finish: Black Chrome
Hoops: Die Cast Hoops
Hoop Finish: Black Chrome
Snare: 20-strand snappy

BPST455SLBR

To create the Black Panther SS, a completely seamless steel shell is precisely cut to size a sound control ring is routed for perfectly unforgettable dynamic reproduction. The uniquely patterned exterior design is cut directly into the steel shell giving it a finish that screams power. The SS weighs in at a hefty 17.3lbs and possesses all the punch expected from a true heavyweight.



NO. 27



NO. 28

THICK FLAMED MAPLE 14x6

Shell Thickness: 12mm
Shell Finish: Honey Maple Burst
Hoops: Die Cast Hoops
Hoop Finish: Chrome
Snare: 20-strand snappy

BPFM4600THT

The 15-ply extra thick shell features a traditional rounded bearing edge that provides increased shell to head contact and a traditional deep snare bed. The result is a warm, dark, full-bodied sound with incredibly soft feel. The flamed maple exterior veneer is finished in high-gloss, hand applied lacquer which brings out the rich grain of the wood.

NO. 29



CHERRY & MAPLE 12x7

Shell Thickness: 6.2mm
Shell Finish: Gloss Natural
Hoops: 2.3mm Powerhoops
Hoop Finish: Chrome
Snare: 20-strand snappy

BPCM2705XN

We've taken a hot 12x7 maple snare and finished with a beautiful ply of natural cherry wood. The result is an awesome instrument that not only looks great — it's a "must have" for any player looking for a unique auxilliary snare sound.

PRO SERIES SNARE DRUMS

MAPLE

5.8mm maple shells, 2.3mm Mapex chrome Powerhoops, natural high-gloss finish, Remo® drum heads.

SD3354XN	13 x 3.5
SD4655XN	14 x 6.5
SD2705XN	12 x 7
SD3355XN	13 x 5.5
SD4555XN	14 x 5.5



STEEL

1mm Stainless Steel Shells, 2.3mm Mapex chrome Powerhoops, Remo® drum heads

ST0554	10 x 5.5
ST3354	13 x 3.5
ST3554	13 x 5.5
ST4505	14 x 5
ST4654	14 x 6.5



BRASS

1.2mm Brass Shells, 2.3mm Mapex chrome Powerhoops, Remo® drum heads

BR3355	13 x 3.5
BR4505	14 x 5
BR4655	14 x 6.5



MAPEX HARDWARE

P950A

- Double Chain Drive
- Adjustable Stabilizer Bearing
- Fully Adjustable Spring Tension
- Tri-Tonal Beater
- Solid Steel Skid-proof Stabilizer Plate
- Retractable Floor Spikes
- Patented Extra Large Floating Hoop Clamp
- Drum Key Holder
- Five Year Warranty



P750A

- Double Chain Drive
- Fully Adjustable Spring Tension
- Tri-Tonal Beater
- Solid Steel Skid-proof Stabilizer Plate
- Retractable Floor Spikes
- Patented Floating Hoop Clamp
- Drum Key Holder
- Five Year Warranty



P550A

- Single Chain Drive
- Fully Adjustable Spring Tension
- Tri-Tonal Beater
- Steel Stabilizer Bars with Skid-Proof Plate
- Retractable Floor Spikes
- Five Year Warranty



P320A

- Single Chain Drive
- Fully Adjustable Spring Tension
- Hard Felt Beater
- Stabilizing Compact Radius Rods
- Retractable Floor Spikes
- Five Year Warranty



P980FA

- Double Chain Drive
- Adjustable Stabilizer Bearing
- Fully Adjustable Spring Tension
- Tri-Tonal Beaters
- Fully Independent Universal Linkage Adjustment
- Rubber Sealed U-Joints
- Solid Steel Skid-proof Stabilizer Plates
- Retractable Floor Spikes
- Patented Extra Large Floating Hoop Clamp
- Drum Key Holder
- Five Year Warranty



P580A

- Single Chain Drive
- Fully Adjustable Spring Tension
- Tri-Tonal Beaters
- Fully Independent Universal Linkage Adjustment
- Rubber Sealed U-Joints
- Steel Stabilizer Bars with Skid-Proof Plates
- Retractable Floor Spikes
- Patented Floating Hoop Clamp
- Drum Key Holder
- Five Year Warranty



P380A

- Single Chain Drive
- Fully Adjustable Spring Tension
- Duo-tone Felt/ABS Beaters
- Fully Independent Universal Linkage Adjustment
- Steel Stabilizer Bars and Radius Rods
- Retractable Floor Spikes
- Five Year Warranty



P390A

- Same as P380A, comes with padded Nylon Carry Bag





H950A

- Tru-Direct-Pull™ Drive System
- Adjustable Angle Footboard
- 10-Stop Wide-range Tension Adjustment with Gauge
- OS Cymbal Accentuator for Top Cymbal
- Fully Adjustable Tri-Nodal Cymbal Seat
- Retractable Floor Spikes
- Dual Tube Construction with Slip-Proof Nylon Inner Sleeve
- Die Cast Memory Lock
- 360° Rotating Leg Assembly
- Double Braced Legs
- Five Year Warranty



H750A

- Tru-Direct-Pull™ Drive System
- Adjustable Angle Footboard
- 10-Stop Wide-range Tension Adjustment
- OS Cymbal Accentuator for Top Cymbal
- Heavy Duty Felt Bottom Cymbal Seat
- Retractable Floor Spikes
- Dual Tube Construction with Slip-Proof Nylon Inner Sleeve
- Die Cast Memory Lock
- 360° Rotating Leg Assembly
- Double Braced Legs
- Five Year Warranty



H550A

- Chain Pull Drive System
- 10-Stop Wide-range Tension Adjustment
- OS Cymbal Accentuator for Top Cymbal
- Heavy Duty Felt Bottom Cymbal Seat
- Retractable Floor Spike
- Dual Tube Construction with Slip-Proof Nylon Inner Sleeve
- Die Cast Memory Lock
- 360° Rotating Leg Assembly
- Double Braced Legs
- Five Year Warranty



H350A

- Chain Pull Drive System
- OS Cymbal Accentuator for Top Cymbal
- Heavy Duty Felt Bottom Cymbal Seat
- Retractable Floor Spike
- Dual Tube Construction with Slip-Proof Nylon Inner Sleeve
- Die Cast Memory Lock
- Five Year Warranty



H320A

- Chain Pull Drive System
- Heavy Duty Felts for Top Cymbal
- Heavy Duty Felt Bottom Cymbal Seat
- Retractable Floor Spike
- Dual Tube Construction with Slip-Proof Nylon Inner Sleeve
- Die Cast Memory Lock
- Double Braced Legs
- Five Year Warranty



S950A

- Ground Reaching Center Shaft for extra low positioning for deep snares
- Universal Ball-in-Socket Snare Basket Tilter
- Dual Tube Construction with Slip-Proof Nylon Inner Sleeve
- Die Cast Memory Lock
- Double Braced Legs
- Five Year Warranty



S750A

- Universal Ball-in-Socket Snare Basket Tilter
- Dual Tube Construction with Slip-Proof Nylon Inner Sleeve
- Die Cast Memory Lock
- Double Braced Legs
- Five Year Warranty



S550A

- Multi-tooth Ratchet Snare Basket Tilter
- Dual Tube Construction with Slip-Proof Nylon Inner Sleeve
- Die Cast Memory Lock
- Double Braced Legs
- Five Year Warranty



S350A

- Multi-tooth Ratchet Snare Basket Tilter
- Dual Tube Construction with Slip-Proof Nylon Inner Sleeve
- Die Cast Memory Lock
- Five Year Warranty



S320A

- Multi-tooth Ratchet Snare Basket Tilter
- Dual Tube Construction with Slip-Proof Nylon Inner Sleeve
- Die Cast Memory Lock
- Double Braced Legs
- Five Year Warranty

C750A

- Universal Ball-in-Socket Cymbal Tilter
- Triple Tube Construction with Slip-Proof Nylon Inner Sleeve
- OS Cymbal Accentuators
- Die Cast Memory Locks
- Double Braced Legs
- Five Year Warranty

C350A

- Multi-Tooth Ratchet Cymbal Tilter
- Dual Tube Construction with Slip-Proof Nylon Inner Sleeve
- OS Cymbal Accentuators
- Die Cast Memory Lock
- Five Year Warranty

B995A

- Three Cymbal Placements
- Universal Ball-in-Socket Cymbal Tilters
- Dual Tube Construction with Slip-Proof Nylon Inner Sleeve
- OS Cymbal Accentuators
- Die Cast Memory Locks
- Double Braced Legs
- Five Year Warranty

B750A

- Universal Ball-in-Socket Cymbal Tilter
- Knurled Hideaway Boom Arm
- Triple Tube Construction with Slip-Proof Nylon Inner Sleeve
- OS Cymbal Accentuators
- Die Cast Memory Locks
- Double Braced Legs
- Five Year Warranty

B560A

- 2.2LB Counterweight
- Multi-Tooth Ratchet Cymbal Tilter
- Triple Tube Construction with Slip-Proof Nylon Inner Sleeve
- OS Cymbal Accentuators
- Die Cast Memory Locks
- Double Braced Legs
- Five Year Warranty

B320A

- Multi-Tooth Ratchet Cymbal Tilter
- Dual Tube Construction with Slip-Proof Nylon Inner Sleeve
- Heavy Duty Cymbal Felts
- Die Cast Memory Lock
- Double Braced Legs
- Five Year Warranty

C950A

- Universal Ball-in-Socket Cymbal Tilter
- Triple Tube Construction with Slip-Proof Nylon Inner Sleeve
- OS Cymbal Accentuators
- Die Cast Memory Locks
- Double Braced Legs
- Five Year Warranty

C550A

- Multi-Tooth Ratchet Cymbal Tilter
- Triple Tube Construction with Slip-Proof Nylon Inner Sleeve
- OS Cymbal Accentuators
- Die Cast Memory Locks
- Double Braced Legs
- Five Year Warranty

C320A

- Multi-Tooth Ratchet Cymbal Tilter
- Dual Tube Construction with Slip-Proof Nylon Inner Sleeve
- Heavy Duty Cymbal Felts
- Die Cast Memory Lock
- Double Braced Legs
- Five Year Warranty

B990A

- Two Cymbal Placements
- Universal Ball-in-Socket Cymbal Tilters
- Dual Tube Construction with Slip-Proof Nylon Inner Sleeve
- OS Cymbal Accentuators
- Die Cast Memory Locks
- Double Braced Legs
- Five Year Warranty

B950A

- Universal Ball-in-Socket Cymbal Tilter
- Knurled Hideaway Boom Arm
- Triple Tube Construction with Slip-Proof Nylon Inner Sleeve
- OS Cymbal Accentuators
- Die Cast Memory Locks
- Double Braced Legs
- Five Year Warranty

B550A

- Multi-Tooth Ratchet Cymbal Tilter
- Knurled Hideaway Boom Arm
- Triple Tube Construction with Slip-Proof Nylon Inner Sleeve
- OS Cymbal Accentuators
- Die Cast Memory Locks
- Double Braced Legs
- Five Year Warranty

B350A

- Multi-Tooth Ratchet Cymbal Tilter
- Hideaway Boom Arm
- Dual Tube Construction with Slip-Proof Nylon Inner Sleeve
- OS Cymbal Accentuators
- Die Cast Memory Lock
- Five Year Warranty

TS965A

- Two Cymbal Placements
- One Tom Holder
- Universal Ball-in-Socket Cymbal Tilter
- Universal Ball-in-Socket Tom Arm
- Dual Tube Construction with Slip-Proof Nylon Inner Sleeve
- Knurled Hideaway Boom Arm
- OS Cymbal Accentuators
- Die Cast Memory Locks
- Double Braced Legs
- Five Year Warranty



TS960A

- One Cymbal Placement
- One Tom Holder
- Universal Ball-in-Socket Cymbal Tilter
- Universal Ball-in-Socket Tom Arm
- Dual Tube Construction with Slip-Proof Nylon Inner Sleeve
- Knurled Hideaway Boom Arm
- OS Cymbal Accentuators
- Die Cast Memory Locks
- Double Braced Legs
- Five Year Warranty



TS950A

- Two Independently Adjustable Tom Holders
- Dual Tube Construction with Slip-Proof Nylon Inner Sleeve
- Universal Ball-in-Socket Tom Arm
- Die Cast Memory Locks
- Double Braced Legs
- Five Year Warranty



TS550A

- Two Tom Holders
- Dual Tube Construction with Slip-Proof Nylon Inner Sleeve
- Universal Ball-in-Socket Tom Arm
- Die Cast Memory Locks
- Double Braced Legs
- Five Year Warranty



T755A

- Newly Designed Saddle-style Cushioned Seat
- Contoured Reinforced Foam Seat 17" wide by 4" thick
- Durable Soft-vinyl Seat Cover
- Die Cast Memory Lock
- Threaded Steel Rod Height Adjustment with Threaded Tube Collar Lock
- 18"- 26" Height Range
- Double Braced "Natural Curve" Legs for Extra Stability
- Five Year Warranty



T750A

- Newly Designed Round Cushioned Seat
- 14" Diameter by 4" Thick
- Durable Soft-vinyl Seat Cover
- Die Cast Memory Lock
- Threaded Steel Rod Height Adjustment with Threaded Tube Collar Lock
- 18"- 26" Height Range
- Double Braced "Natural Curve" Legs for Extra Stability
- Five Year Warranty



T575A

- Newly Designed Saddle-style Cushioned Seat
- Contoured Reinforced Foam Seat 17" wide by 4" thick
- Durable Soft-vinyl Seat Cover
- Die Cast Memory Lock
- Steel Tube Height Adjustment with Tube Collar Lock
- 16.1" - 24.4" Height Range
- Double Braced Legs
- Five Year Warranty



T570A

- Newly Designed Round Cushioned Seat
- 14" Diameter by 4" Thick
- Durable Soft-vinyl Seat Cover
- Die Cast Memory Lock
- Steel Tube Height Adjustment with Tube Collar Lock
- 16.1" - 24.4" Height Range
- Double Braced Legs
- Five Year Warranty



T550A

- Round Cushioned Seat
- 13" Diameter by 2.5" thick
- Durable Soft-vinyl Seat Cover
- Die Cast Memory Lock
- Steel Tube Height Adjustment with Tube Collar Lock
- 16.1"-24.4" Height Range
- Double Braced Legs
- Five Year Warranty



T270A

- Round Cushioned Seat
- 12" Diameter by 2.5" thick
- Durable Soft-vinyl Seat Cover
- 6-position Keyway Rod with Stop Lock Nut
- 17.3"-22" Height Range
- Double Braced Legs
- Five Year Warranty





AC901
Horizontal adjustable multi-purpose clamp



AC905
Combination side-ratchet adjustable multi-purpose clamp



AC911
Add-on boom arm with combination multi-clamp. Includes 12-inch knurled boom arm with universal ball-in-socket tilter and OS Cymbal Accentuator



AC902
Dual-angle adjustable multi-purpose clamp



AC906
Bass drum/hi-hat attachment clamp for close placement in double bass set-ups.



AC903
Combination center-ratchet adjustable multi-purpose clamp



AC908
Cymbal/Tom arm multi-purpose platform with center hole to fit most stands



AC912
Cowbell/Accessory holder for bass drum



AC904
Center-ratchet adjustable multi-purpose clamp



AC909
Adjustable bass drum lift for 18-inch bass drums



AC913
Cowbell/Accessory holder for cymbal stand



B75
2-piece hideaway boom cymbal arm (12-inch) with universal ball-in-socket tilter, knurled boom arm and OS Cymbal Accentuator



B78
2-piece hideaway boom cymbal arm (20.1-inch) with 2.2 lb counterweight, universal ball-in-socket tilter, knurled boom arm and OS Cymbal Accentuator



CH72
Adjustable Tension remote hi-hat arm with heavy duty felt bottom cymbal seat and OS Cymbal Accentuator



TH685
Tom shaft and arm set for Orion Series
Tube Diameter: 25mm



TH682
Tom shaft and arm set for Saturn Series
Tube Diameter: 25mm



TH675
Tom shaft and arm set for Pro M Series
Tube Diameter: 25mm



TH650
Tom shaft and arm set for M and V Series
Tube Diameter: 25mm



TH683
Single Tom arm for Orion, Saturn and Pro M Series. Tube Diameter: 25mm



TH653
Single Tom arm for M Birch, VX and QR Series. Tube Diameter: 25mm



6705-075A
Tube expander allows TH684 Single Tom Arm (22mm) to fit into standard size base drum tom holder receiver (25mm).



BLACK PANTHER DELUXE SNARE BAG

Sturdy, easy-care rubberized exterior, soft padded interior protects snare drums, heavy duty zipper, padded handle and shoulder strap. Holds up to 14x5.5 snare drum. PN: EBG14650BP



SNARE WIRES

Available in Chrome, Black or Gold Plated.

Part No.	Length	Strands	Plating
1S582850A	10-inch	20	Chrome
1S582850BA	10-inch	20	Black
1S582850GA	10-inch	20	Gold
1A394850A	12-inch	20	Chrome
1A394850BA	12-inch	20	Black
1A394850GA	12-inch	20	Gold
1K394850A	13-inch	20	Chrome
1K394850BA	13-inch	20	Black
1K394850GA	13-inch	20	Gold
18794850A	14-inch	20	Chrome
18794850BA	14-inch	20	Black
18794850GA	14-inch	20	Gold
1F6W0850	13-inch	42	Chrome
187W0850	14-inch	42	Chrome

LOGO BASS DRUM HEADS

REMO® Weatherking Ebony Powerstroke Front Head

Model	Size
0318-618BB	18-inch
0318-620BB	20-inch
0318-622BB	22-inch
0318-624BB	24-inch

REMO® UT Self-Muffling Front Head

Model	Size
0334-618CB	18-inch
0334-620CB	20-inch
0334-622CB	22-inch
0334-624CB	24-inch

REMO® Weatherking White Powerstroke Front Head

Model	Size
0000-000XX	20-inch
0000-000XX	22-inch
0000-000XX	24-inch

INCOMPLETE



OS CYMBAL ACCENTUATORS

Enhances cymbal sustain. (3 pc.) PN: 3480-355X



MAPEX DRUM KEY

Works with tension and adjustment screws from most manufacturers. PN: KZWA058



MAPEX LOGO STICKERS

Features Mapex "Swirl" logo in 10-inch and 3-inch sizes. Ideal for bass drum heads and road cases. PN: PMKM-M269 (white) / PMKM-M279 (black)



HI-HAT CLUTCH

Hi-Hat Model	Part Number
H950A / H750A	2680-346A
H550A / H350A	2670-346A
H320A / H300A	2121-346A



PADDED DRUM BAG SETS

Soft gig bags embroidered with the Mapex logo. Features padded compartments and handles, reinforced zippers.

Model	Configuration	Sizes
DB-724204	Fusion (5225)	22 Bass, 10 Tom, 12 Tom, 14 Tom, 14x5.5 Snare
DB-726324	Standard (5255)	22 Bass, 12 Tom, 13 Tom, 16 Floor Tom, 14x5.5 Snare
DB-2624	Classic (4266)	22x20 Bass, 12 Tom, 16 Floor Tom, 14x7 Snare
DB-286324	Classic Plus (6296)	22x20 Bass, 12 Tom, 13 Tom, 16 Floor Tom, 18 Floor Tom, 14x7 Snare



REPLACEMENT LUGS

4 per pack. Fits Saturn and Orion Bass Drums when removing tom mount apparatus. Available in Chrome or Black Chrome.

Part No.	Plating
0702-D02A4	Chrome
0712-D13A4	Black



TRI-TONAL BASS DRUM BEATER

Rotating beater with maple, felt and ABS beater. PN: 4680-515A



MAPEX ROLLING HARDWARE BAG

Durable fabric Mapex rolling hardware bag with side compartments. Holds up to six pieces of hardware including stands and pedals. Bag Dimensions: 38-in. long x14-in. wide x 10-in. deep PN: PMK-M113

THE BEST DRUMS IN THE BUSINESS ARE PROTECTED BY THE BEST WARRANTY IN THE BUSINESS

A lifetime warranty on drum shells, one year on finishes and hoops and an incredible five years on hardware. All Mapex products are built in its ISO-9001 certified factory, which means you can count on superior quality — right out of the box.

MAPEX drums, hardware, stands and accessories, except as noted, purchased from an authorized MAPEX dealer, are warranted to the original retail purchaser against defective material and workmanship. Warranty coverage is not transferable and shall be valid by item and subject to terms and conditions indicated below. The original retail purchaser must include a copy of their original sales receipt or provide proof of sale by an authorized MAPEX dealer to activate warranty service without charge.

WARRANTY COVERAGE AND TIME PERIOD

Shells

Drum shells are covered under a limited lifetime warranty to the original retail purchaser against splitting, ply separation, material failure and going out of round as a result of manufacturing. Defects caused as a result of wear, handling, negligence, temperature, humidity, corrosive atmosphere or other external causes are not covered under this limited lifetime warranty.

Finish & Hoops

Both lacquered finishes and hoops and all wrapped finishes are warranted to the original retail purchaser against defective material and workmanship for one (1) year from date of purchase. Defects caused as a result of wear, handling, negligence, temperature, humidity, corrosive atmosphere or other external causes are not covered.

Stands, Pedals & Hardware

MAPEX stands, pedals and hardware are covered under a limited five (5) year warranty to the original purchaser against defective material and workmanship. Defects caused as a result of normal wear, handling, negligence, temperature, humidity, corrosive atmosphere or other external causes are not covered under this limited five (5) year warranty.

The following items are not covered under the MAPEX Warranty; heads, plating, pedal beaters, springs, snares, straps, normal wear and tear, sound or damage from shipping and transportation. The MAPEX Warranty is rendered void on all items that have been altered, modified or subjected to improper operation, misuse, neglect or exposure to extreme conditions.

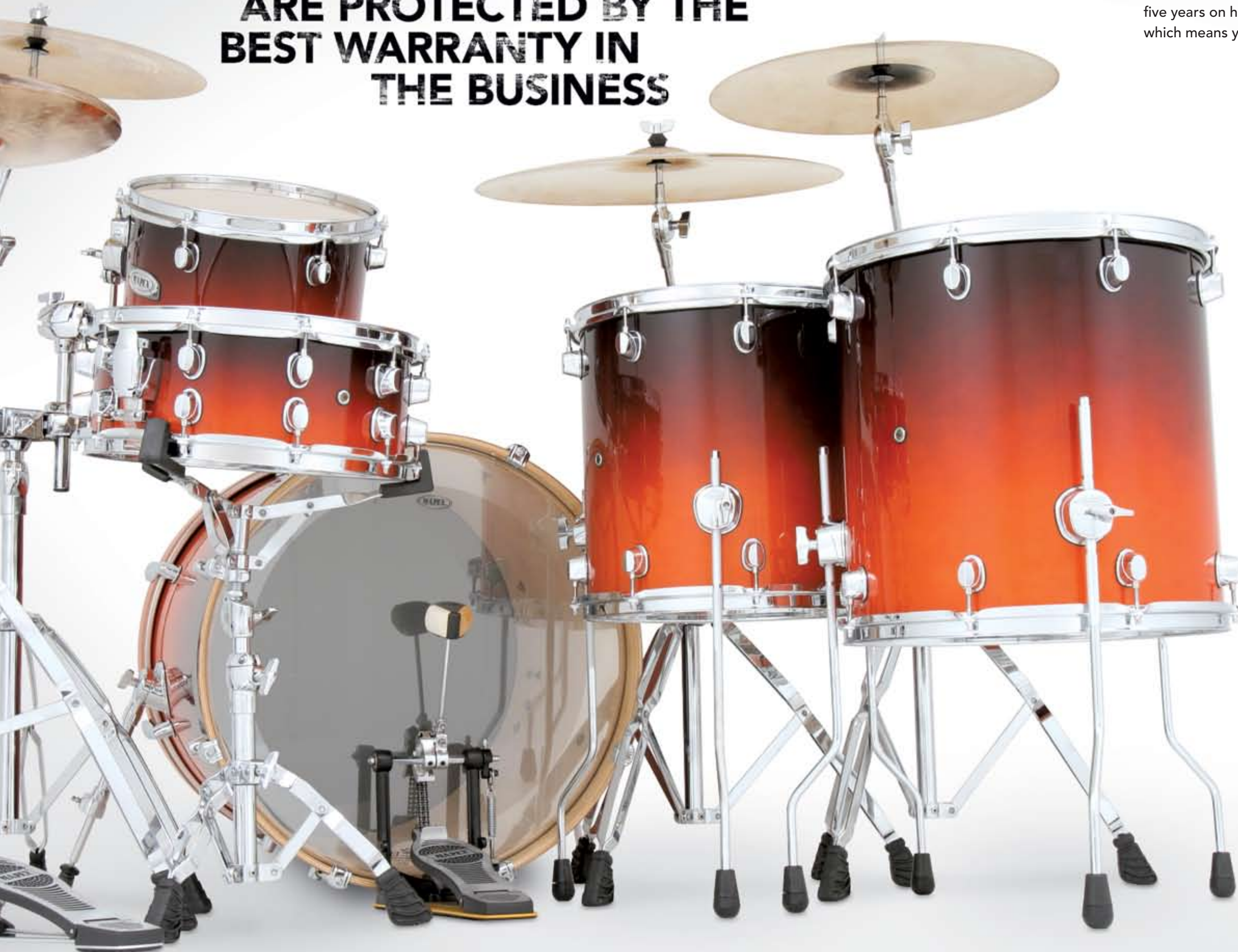
OWNER'S RESPONSIBILITY

To Obtain Warranty Service

A Warranty return should be handled by any authorized MAPEX dealer from which the instruments were purchased. All repairs under terms of this Warranty must be handled by Mapex USA. Any instrument to be returned under this Warranty requires a Return Authorization Number shown on the outside of the carton and must be shipped prepaid. Mapex USA will then inspect and evaluate the extent of warranty coverage and notify dealer of claimant. Mapex USA will repair or replace, at its option, any instrument or part thereof, found to be defective and covered under terms of the MAPEX Warranty. Repaired instruments will be returned freight collect.

Warranty Limitations

This Limited Warranty is made in lieu of all other warranties, either written or implied and is subject to the limitations contained herein. It is extended to the original retail purchaser only and not transferable. Proof of purchase is required. Under terms of this warranty, Mapex USA accepts no responsibility for incidental or consequential damages of any nature associated with the use of MAPEX products. This warranty gives you specific legal rights and you may have other rights which vary from state to state and could affect this warranty.





Product specifications described herein are subject to change without notice.

Due to limitations in photographic and lithographic processes, illustrated colors may vary slightly from actual colors offered. Since wood grain patterns appear randomly in raw materials, wood grain on product pictured will differ from actual product. Cymbals are not included, except where indicated. Some items may only be available via special order, see dealer for details.

Black Panther™, ITS™, OS Cymbal Accentuators™ and Tri-Nodal™ are trademarks of Mapex USA, Incorporated.

Remo® is a registered trademark of Remo, Inc.

© 2008 Mapex USA, Incorporated. All rights reserved.



USA.MAPEXDRUMS.COM